

AC CURRENT TRANSDUCER

ATP2 - □ □

CONSTANT CURRENT OUTPUT /AUXILIARY SUPPLY FREE TYPE
WITH WAVEFORM COMPENSATION 3rd HARMONICS 5%



ATP2-31
(108(w/UD-2) × 50 × 121mm/400g)

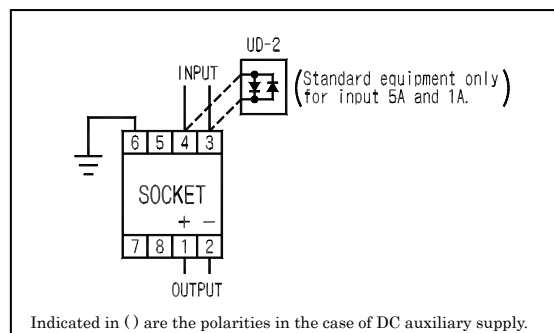
Use

Converts AC current in an electric power system into a DC signal in proportion to input.

Features

1. Auxiliary supply free type.
2. Constant voltage/current output.
3. Withstand voltage between input, output, auxiliary supply and outer case (earth) is AC2, 000V (50/60Hz), complete insulation for 1 minute.
4. Electrostatic shield between primary and secondary protects output side equipments from a lightning surge or suchlike from input side.
5. Impulse withstands voltage 5kV, 1.2/50µs (between electric circuit and earth), and positive/ negative polarity 3 times each is guaranteed.
6. With output line surge protection. (2, 000A, 8/20µs, positive/negative polarity) ,can transmit an output directly to a distant place.

Connection diagram



Specification

Input	Output (load resistance)	Common specification
1 : AC0-100mA 2 : AC0-1A 3 : AC0-5A 4 : AC0-6A 0 : other than those above (rating frequency: 50/60Hz)	1 : DC0-1mA (10k) 2 : DC0-2mA (5k) 3 : DC0-5mA (2k) 0 : other than those above (but, MAX5mA)	Tolerance: ± 0.5% Consumption VA: Input: 2VA Weight: :400g Response time: 1sec/99%

Open of current output: even if the current output terminal is used in a state of regular open, there is no problem.
Also, a voltage of approx. 15V occurs on the output terminal.

UD-2 Diode unit
(Standard equipment only for rating 5A and 1A)

A diode unit for protecting primary CT when changing the current transducer in a hot line state. Because the changing time is diode protecting method, try to make it as short as possible.

Purchase specifications

